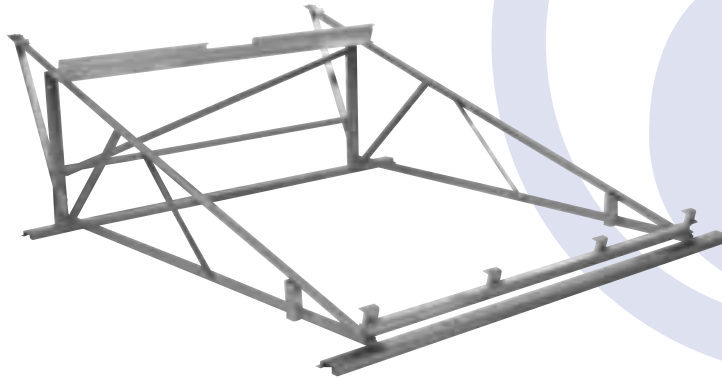


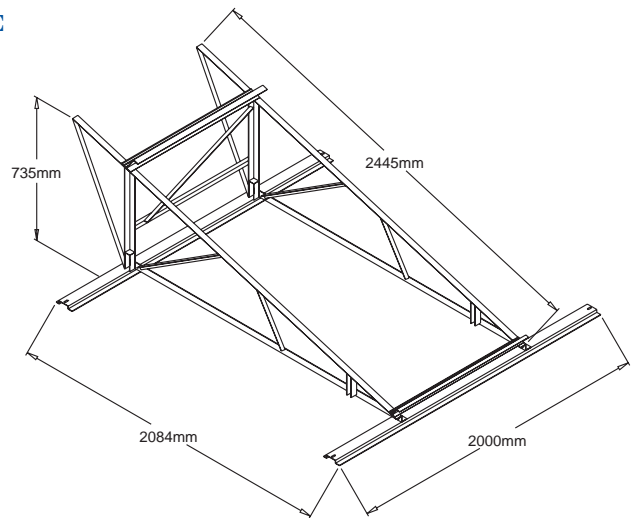
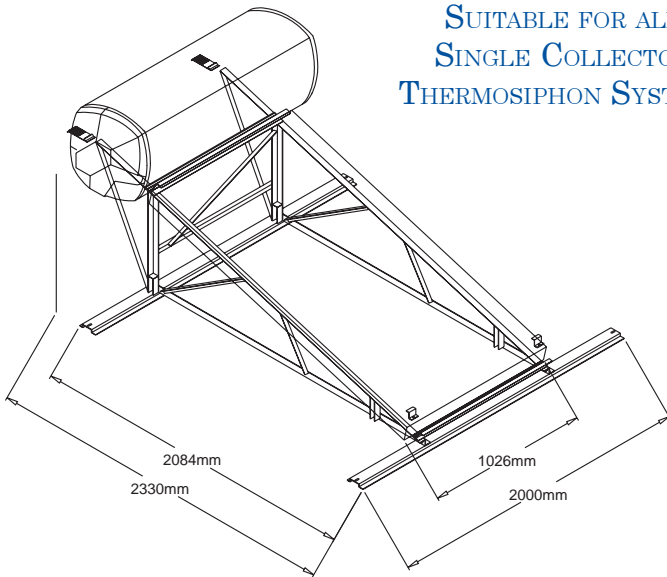
# MOUNTING FRAMES

## FIXED PITCH 17.5

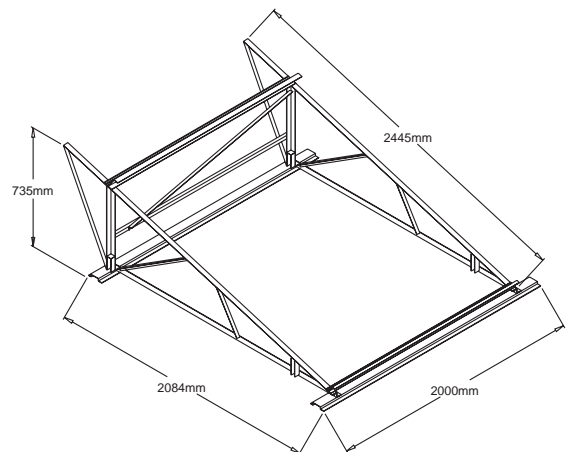
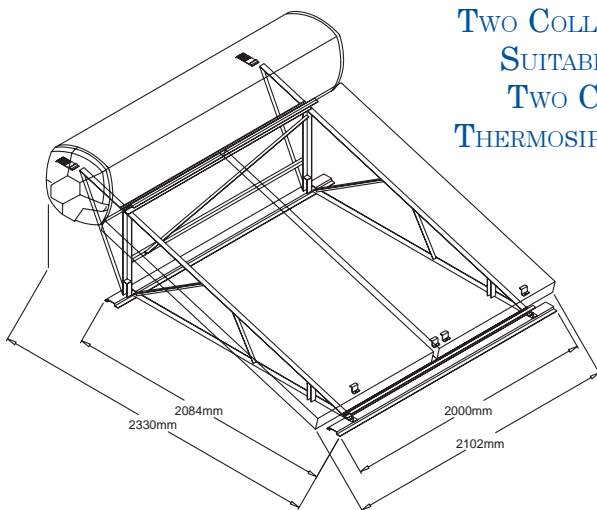
### SINGLE AND TWO COLLECTOR THERMOSIPHON SYSTEMS



SINGLE COLLECTOR FRAME  
SUITABLE FOR ALL  
SINGLE COLLECTOR  
THERMOSIPHON SYSTEMS



TWO COLLECTOR FRAME  
SUITABLE FOR ALL  
TWO COLLECTOR  
THERMOSIPHON SYSTEMS

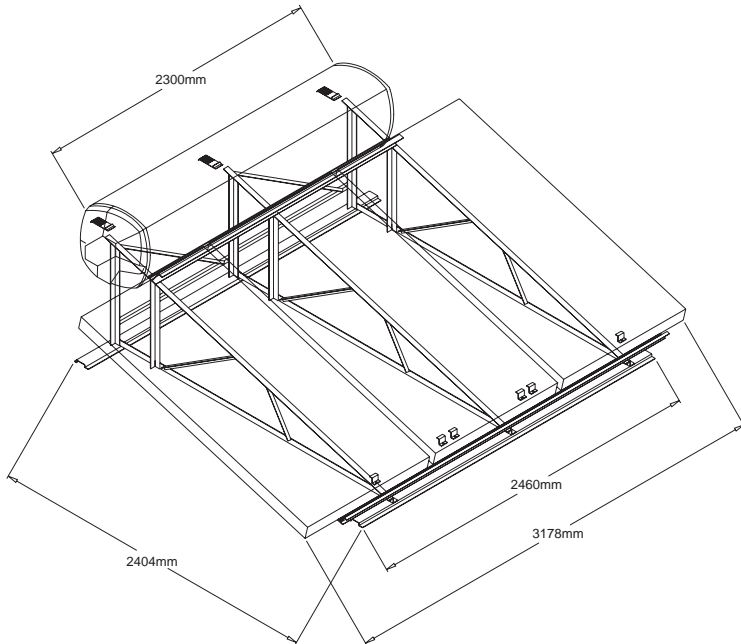
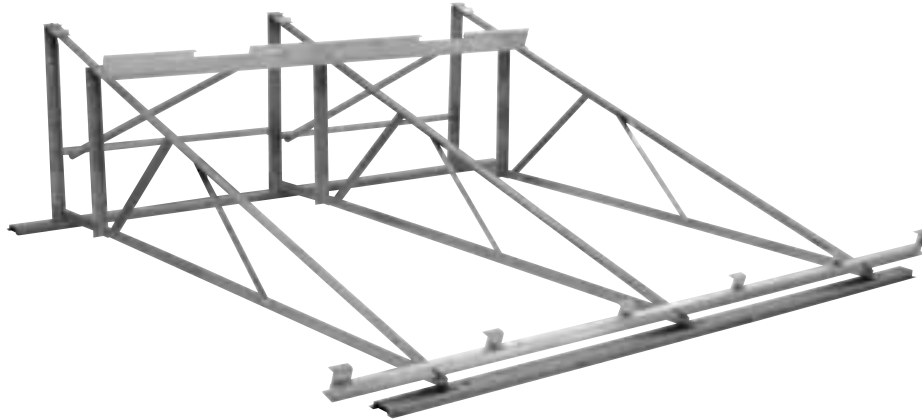


Roof Loading						
	151 System	181 System	182 System	221 System	222 System	302 System
Total Weight (Kg)	304	339	386	387	428	495

# MOUNTING FRAMES

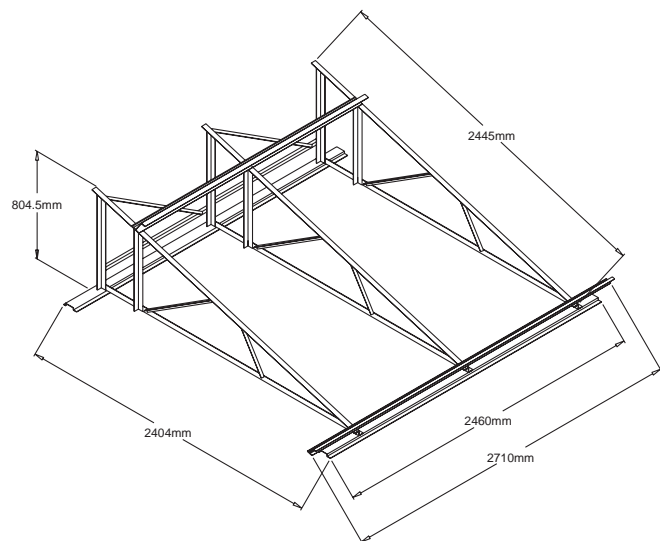
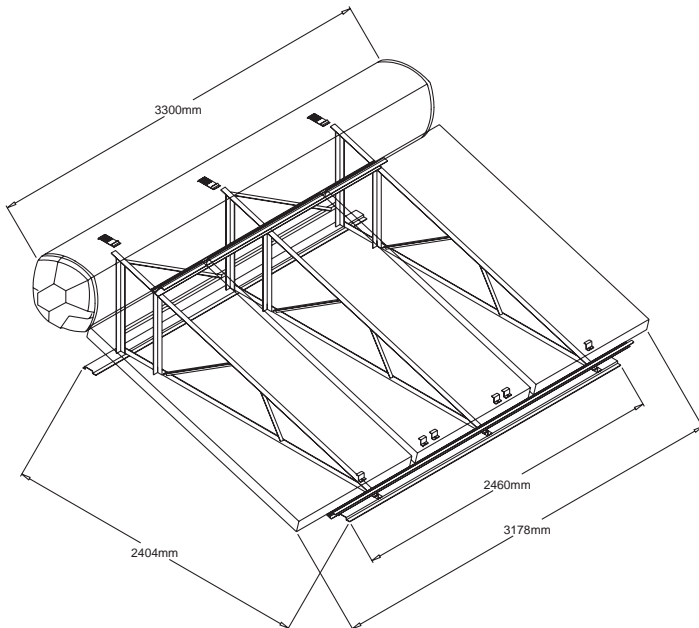
## *FIXED PITCH 17.5*

### *THREE COLLECTOR THERMOSIPHON SYSTEMS*



THREE COLLECTOR FRAME  
SUITABLE FOR ALL  
THREE COLLECTOR  
THERMOSIPHON SYSTEMS

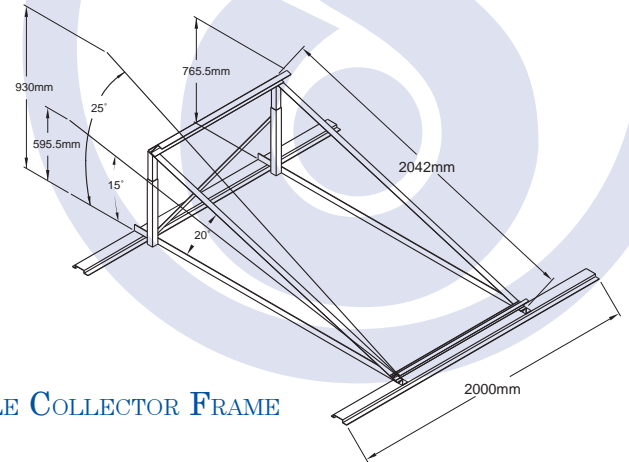
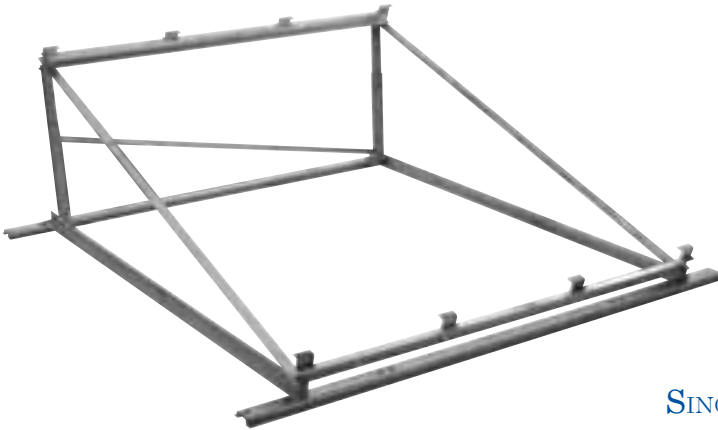
Roof Loading		
	303 System	443 System
Total Weight (Kg)	589	758



# MOUNTING FRAMES

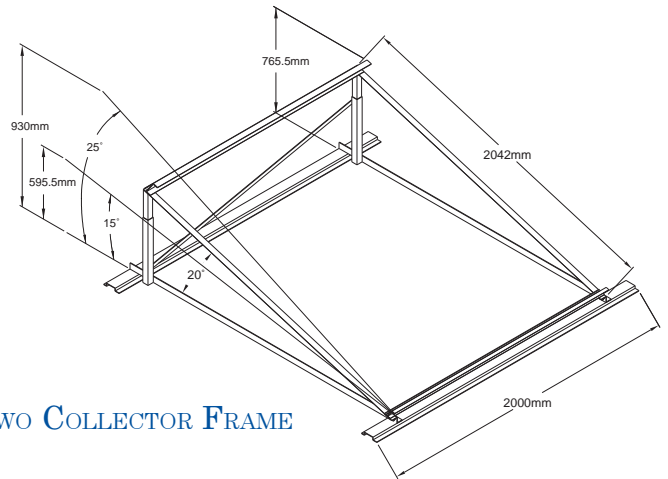
## VARIABLE PITCH 17.5

### SINGLE AND TWO COLLECTOR PUMP SYSTEMS

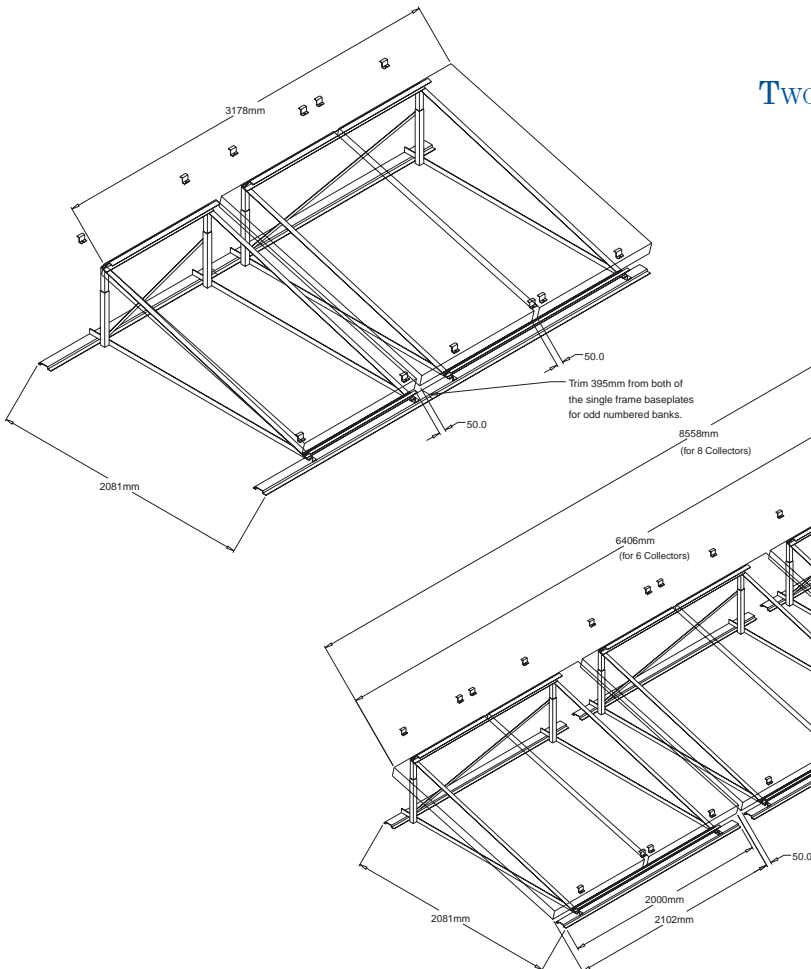


SINGLE COLLECTOR FRAME

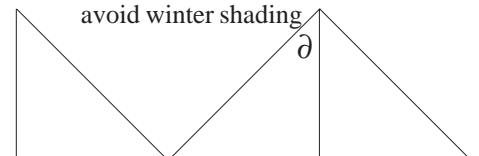
	Roof Loading							
	Total Weight (kg)							
	1	2	3	4	5	6	7	8
'K' Collector	53	104	157	208	261	312	365	416
'L' Collector	44	86	130	172	216	258	302	344
'M' Collector	52	102	154	204	256	306	358	408
'F' Collector								
'B' Collector								



TWO COLLECTOR FRAME

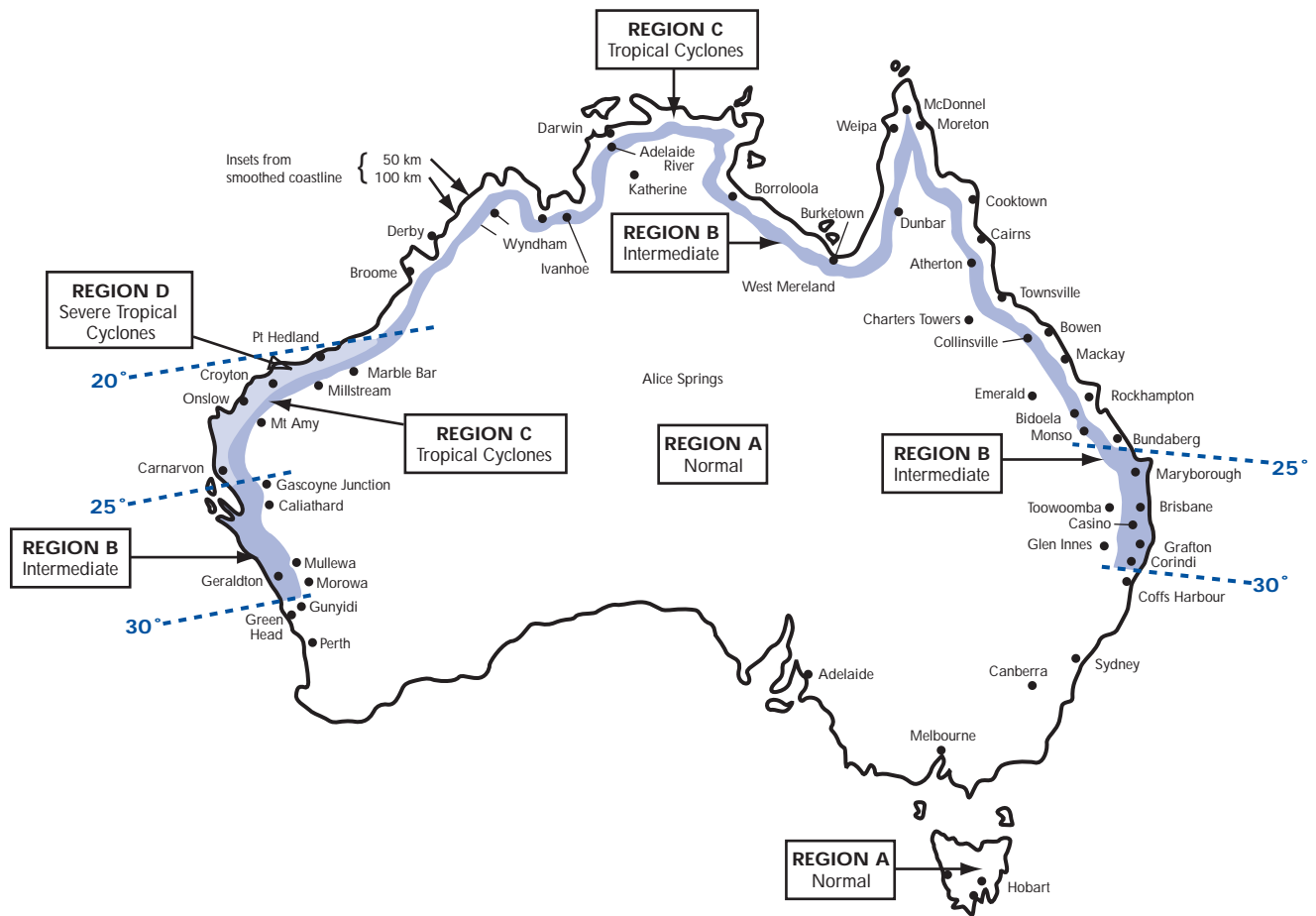


When installing multiple banks, maintain the distance between banks at  $\partial = \text{latitude} + 30^\circ$  to avoid winter shading

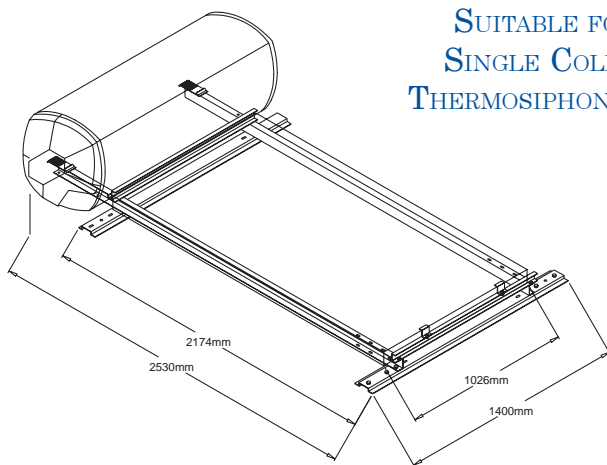


# CYCLONE FRAMES

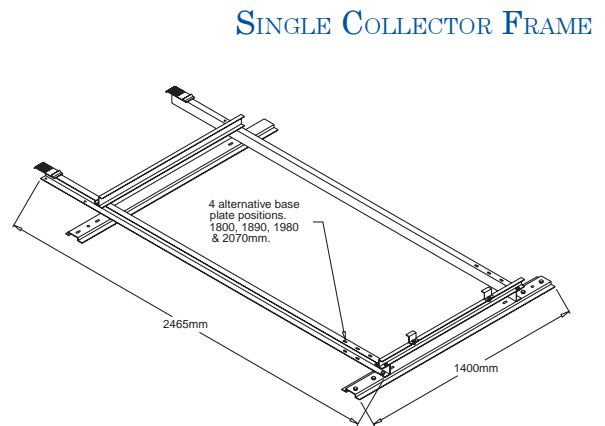
## THERMOSIPHON SYSTEMS



These cyclone frames are to be used in Non Cyclone prone areas where the pitch of the roof exceeds 30°. The Storage Cylinder should be fastened to the cyclone frame with stainless steel straps.



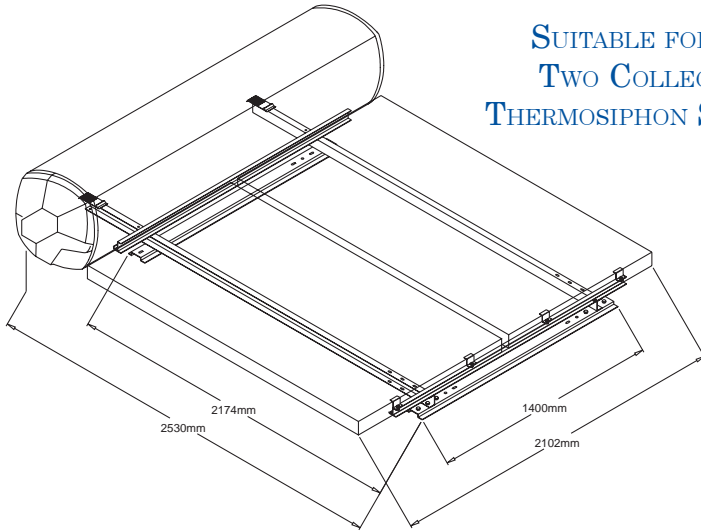
SUITABLE FOR ALL  
SINGLE COLLECTOR  
THERMOSIPHON SYSTEMS



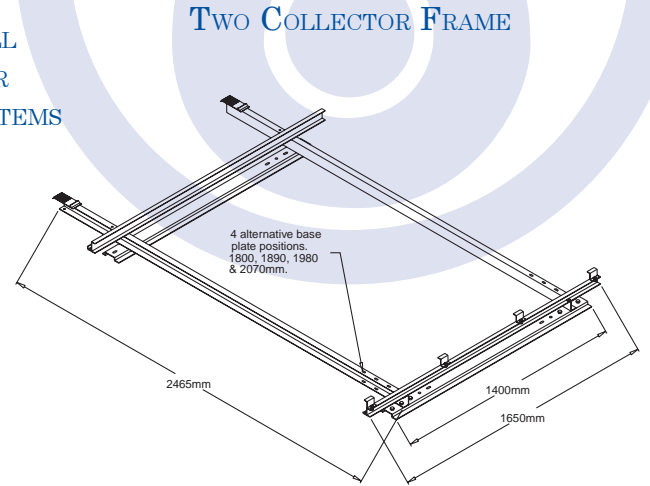
SINGLE COLLECTOR FRAME

# CYCLONE FRAMES

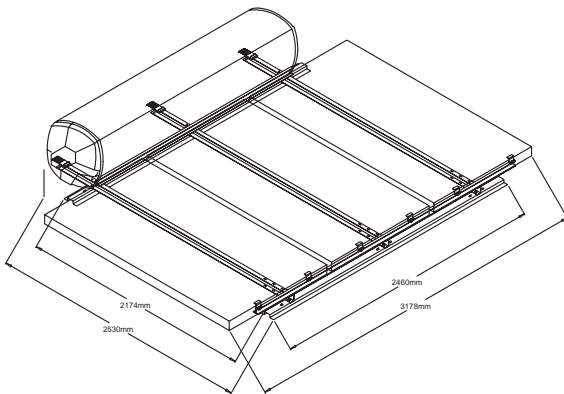
## THERMOSIPHON SYSTEMS



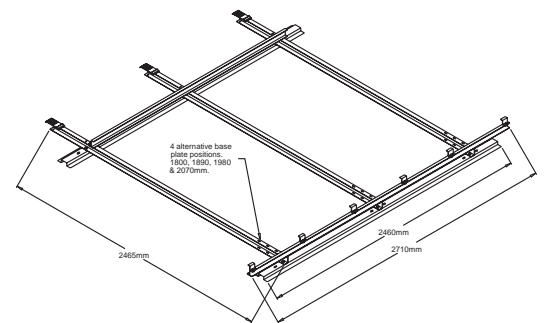
SUITABLE FOR ALL  
TWO COLLECTOR  
THERMOSIPHON SYSTEMS



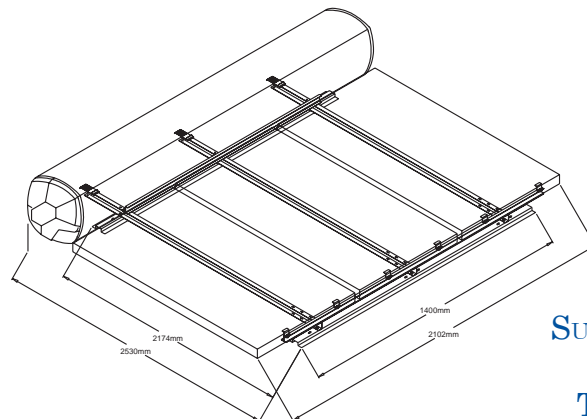
TWO COLLECTOR FRAME



SUITABLE FOR ALL 300 LITRE  
THREE COLLECTOR  
THERMOSIPHON SYSTEMS



THREE COLLECTOR FRAME



SUITABLE FOR ALL 440 LITRE  
THREE COLLECTOR  
THERMOSIPHON SYSTEMS

Roof Loading								
	151 System	181 System	182 System	221 System	222 System	302 System	303 System	443 System
Total Weight (Kg)	280	315	361	363	409	503	589	758

