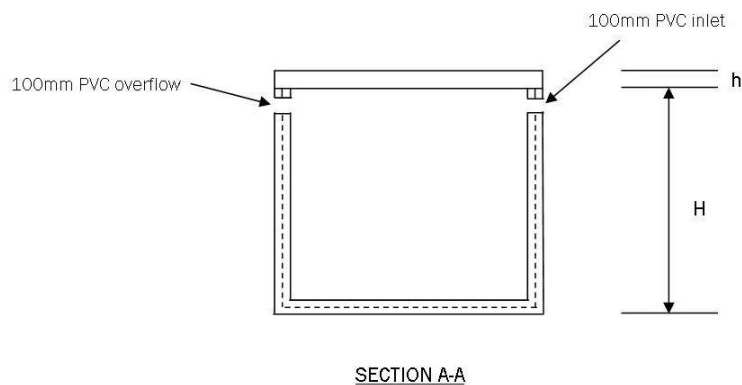
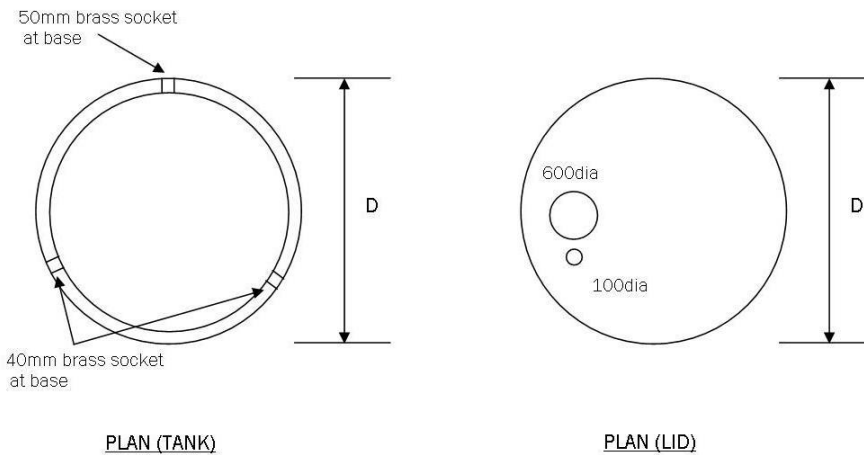


# 16,000 LITRE CONCRETE WATER TANK



## Specifications

Capacity:	16,000 litres
Tank Dimensions:	D=3100mm, H=2530mm
Standard Lid Dimensions:	D=3230mm, h=100mm
Heavy Duty Lid Dimensions:	D=3230mm, h=150mm
Tank Wall Thickness:	75mm
Overflow:	100mm PVC socket (12 o'clock)
Inlet:	100mm PVC socket (6 o'clock)
Outlet:	40mm x 2 brass threaded sockets at base (4 & 8 o'clock)
Drain:	50mm brass threaded socket at base (12 o'clock)
Gatic Cover:	600mm
Weight:	8.60 tonne

## Notes

- Fully reinforced & vibrated 32MPa concrete
- Suitable for above & below ground installation
- Lid manhole & inlets can be altered to suit individual requirements

# Installation

## Access

The truck needs to be able to back up to the prepared pad or hole and stop within 1 metre over a corner from back of truck to edge of hole. The tank is then lifted from the truck and slewed around either left or right side of truck to the rear, and unloaded into hole over the back of the truck.

Solid, reasonably level ground required. If multiple tanks are to be placed, the truck needs to be positioned 1 metre from the side of each tank.

## Site Preparation – Above Ground Tanks

A level pad needs to be prepared approximately 1m wider than the tank. 50-70mm of crushed rock then needs to be spread and levelled over the site.

## Site Preparation – Below Ground Tanks

Hole needs to be dug large enough and correct depth to enable tank to clear all sides when being placed into hole. At least 300mm clearance each side. 50-70mm of crushed rock then needs to be spread and levelled in bottom of hole. Below ground water tanks need to be half filled with water as soon as they are placed in hole to avoid floating. Tanks are to be back filled with screening or stabilised sand/stabilised crushed rock.

## Lid Installation

If lid is required to be sealed on to top of tank, adequate silicon or mortar mix needs to be made available by purchaser, and placed on top of tank to allow driver to put lid in place with minimum delay after unloading tank into position.

## Soil Cover for Below Ground Tanks

Standard lid must have no more than 150mm of soil and Heavy Duty lid must have no more than 450mm of soil placed over the top with access only to pedestrian traffic.

## Please Note:

If a below ground tank is placed on site, where it is possible that building materials or motorized traffic is likely to go near or over the top, it is the responsibility of the site owner to ensure that the area is suitably signed and cordoned off to all traffic.